

# *Elegant Hardwood Entrances*

*product guide 2005*

## **SERVICES & SAMPLES**

- GLASS AND**
- FINISHING SAMPLES**
- HARDWARE**
- HOW-TO ORDER**



Arabella SC 8237 Double Doors  
Forged Iron and Dark Patina Came  
In Clear Bevel and Beveled  
Glue Chip IG

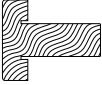
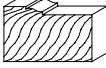
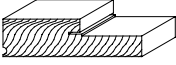

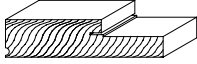

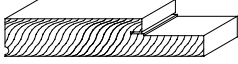


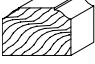


**PRODUCTS IN THIS CATALOG ARE AVAILABLE THROUGH  
MILLWORK SUPPLIERS NATIONWIDE**



*Nothing Welcomes Like Wood™*

800 394-6680 / [www.mouldingassociates.com](http://www.mouldingassociates.com)

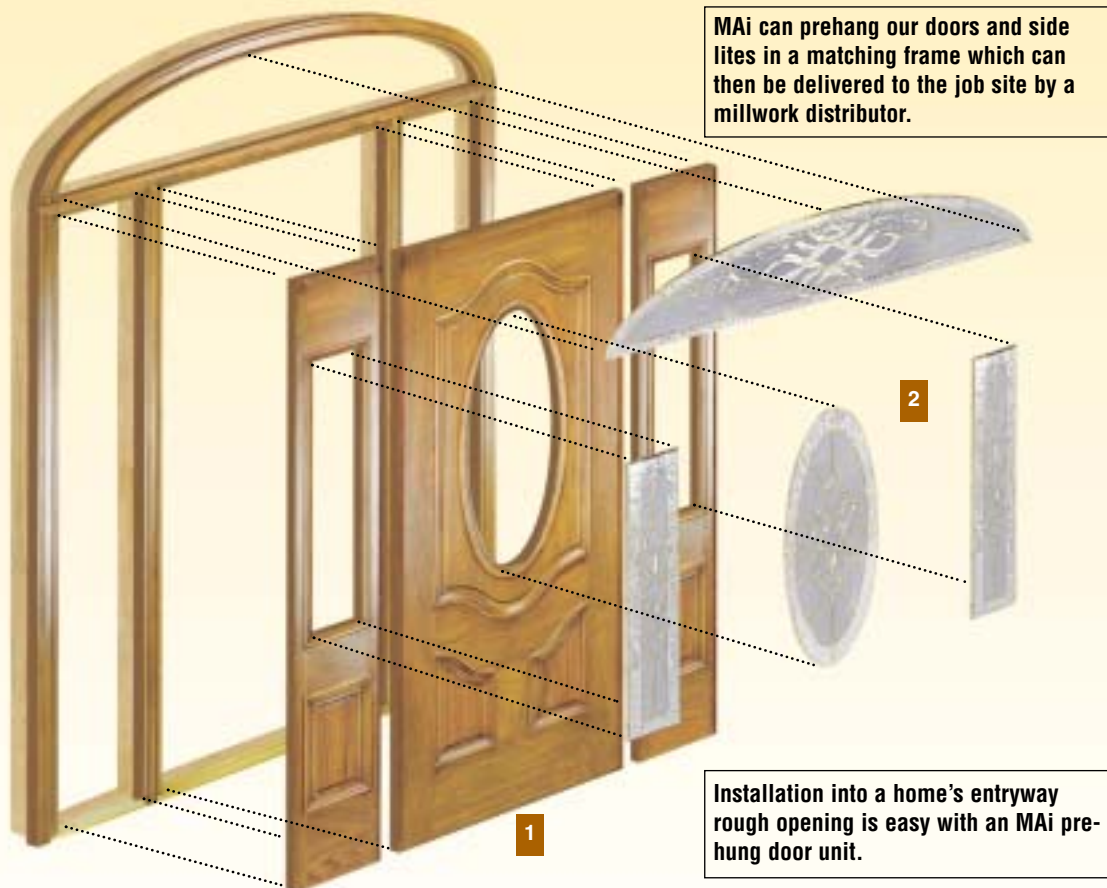
## South American Oak and Mahogany Frame Parts and Mouldings

	1 1/2" x 3 5/8" x 2 1/2" Face Mahogany Mull Post - Common Frame Leg used between Door & Side Lite(s) - O/S Mull Moulding Optional		B-180 Brick Mould 7', 9' and 10' Legs and 42" Headers
	4 5/8" Frame - Kerfed for Weatherstrip 82 3/4" and 98 3/4" Legs and 36 1/4" Headers		#356 Colonial Casing - 1/2" x 2 1/4" x 7' and 9'
	5 1/4" Frame - Kerfed for Weatherstrip 82 3/4" and 98 3/4" Legs and 36 1/4" Headers		#LC11 Colonial Casing - 11/16" x 3 1/2" x 8', 9' and 10' Mahogany Only
	6 5/8" Frame - Kerfed for Weatherstrip 82 3/4" and 98 3/4" Legs and 36 1/4" Headers		T-Astragal - Kerfed for Weatherstrip - 7' and 9'
	S4S - 9/16" x 3 1/4" 7' and 9' Legs and 42" Headers		Outside Mull Cover - 1 1/16" x 1 5/8" x 7' and 9'
			Inside Mull Cover - 3/8" x 1 1/4" x 7' and 9'
			QR109 - 3/8" x 3/8" Quarter Round - 7' and 9'

Upon request, MAi can prehang any MAi door, matching side lites, and transom in their available matching wood frame for our distributors. MAi glazes the glass that has been selected from its corresponding design group. MAi can also prefinish the door, side lite(s), transom and frame in one of four custom colors for both oak and mahogany woods to create a door unit custom finished especially for your home.

### Prehanging

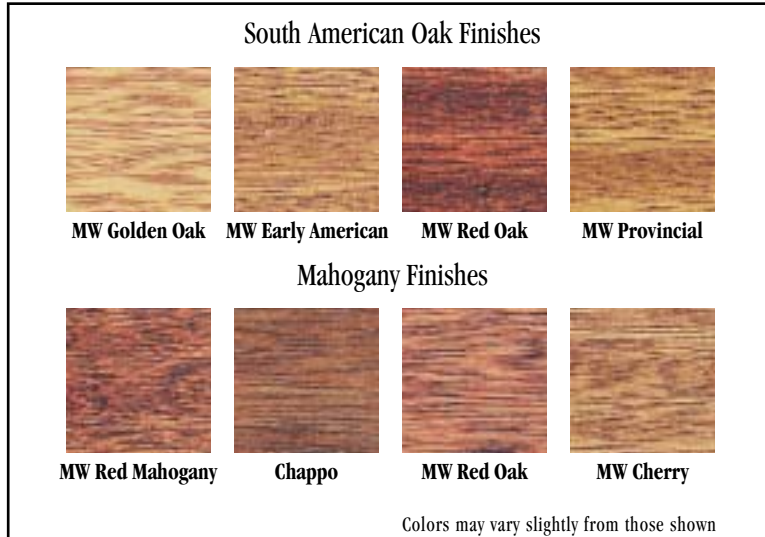
34



- How to Order:
1. Select the door style you want in the design group of your choice.
  2. Select the glass style you want in that design group.
  3. Select the custom stain finish of your choice (see next page).
  4. Select the door unit configuration to fit your home (see next page).
  5. Place the order for your MAi door unit with your builder, who will then acquire it from a millwork distributor.
  6. Enjoy the beauty and efficiency of your wood entryway. After all, *Nothing Welcomes Like Wood™*.

## MAi Custom Prefinishing Stains

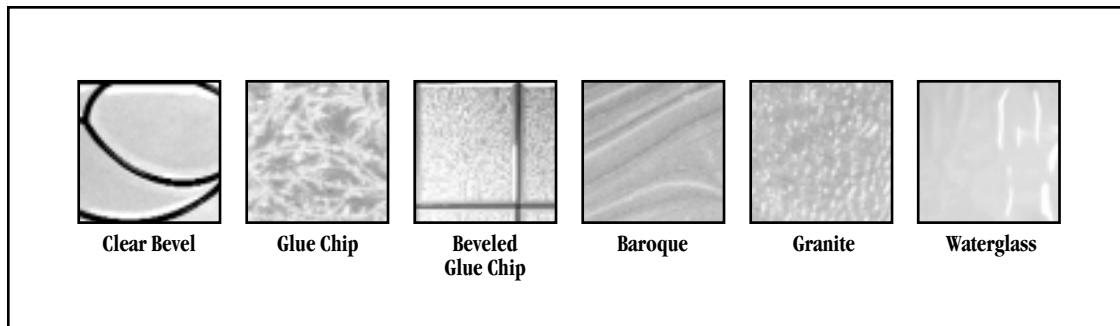
Select the custom finish of your choice



**Care and Maintenance:**

To extend the long-lasting beauty of your entry door, inspect its condition at least every six months. When the exterior becomes dull, refinish by lightly sanding the door and applying a topcoat of exterior Polyurethane with UV protectors to maintain protective stability. Long term performance will be attained through proper maintenance.

## Getting a closer look at MAi glass



Antique Glass also available (Not Shown)

Select from these handle sets

- A. MAI #2115 – Polished Brass – Compliments Delta, Queen Anne, and New Century Brass Came
- B. MAI #2115 – Satin Nickel – Compliments Delta and Queen Anne Sterling Zinc Came
- C. MAI #2115 – Weathered Pewter – Compliments Delta, St. Charles, Hill Country and New Century Patina Came
- D. MAI #2115 – Black – Sarasota, St. Charles, Hill Country, New Century Patina Came and Alpine



A. MAI #2115  
Polished Brass



B. MAI #2115  
Satin Nickel



C. MAI #2115  
Weathered Pewter



D. MAI #2115  
Black

- E. MAI #461232 Tubular and #3313 Mortise Handle Sets
- F. MAI #461121 Tubular and #3312 Mortise Handle Sets
- G. MAI #471112 Tubular and #3331 Mortise
- H. MAI #4811 Tubular and #3308 Mortise Handle Sets

\*MAI can install Mortise Locks with the Lock Box or we can install the Mortise Lock Box only, for our hardware.



E. MAI #461232 Tubular  
#3313 Mortise  
Satin Steel (SS) Flat Black (FB)  
Rust (R)



F. MAI #461121 Tubular  
#3312 Mortise  
Satin Steel (SS) Flat Black (FB)  
Rust (R)



G. MAI #471112 Tubular  
#3331 Mortise  
Dark Bronze (DB) Medium  
Bronze (MB) Silver Patina (SP)



H. MAI #4811 Tubular  
#3308 Mortise  
Oil Rubbed Bronze (US10B) Satin  
Nickel (US15) PVD (Lifetime Brass)

## Management of Timber Concessions

The mills used for the production of MAi doors only utilize timber from government controlled forests. There is strict control over the harvesting and replanting of timber used in every MAi wood door. MAi can supply government letters of certification to confirm that programs are in effect to protect the forest. Video tapes are also available that outline the foreign government's management program.

### Rain Forest Policy

MAi is committed to the protection of the rain forest. Strict compliance is maintained with all foreign government regulations to protect the rain forest. None of the timber used to produce MAi doors is listed as endangered.



Wood products certified by SmartWood are recognized as coming from "well-managed" forests adhering to strict environmental and socioeconomic standards in accordance with the Principles and Criteria of the Forest Stewardship Council (FSC).



Certified by SmartWood  
SW-COC-585

FSC Trademark © 1996 Forest Stewardship Council A.C.

## Warranty:

- Ten year limited warranty against seal failure on all insulated glass lites shown in this catalog.
- Five year limited warranty on all wood doors in this catalog, except for New Century Collection.
- One year limited warranty on New Century doors.
- Complete warranty information for products shown in this catalog is available on [www.mouldingassociates.com](http://www.mouldingassociates.com), or by calling MAi at 800-394-6680.

## Other MAi Catalogs



Patrician

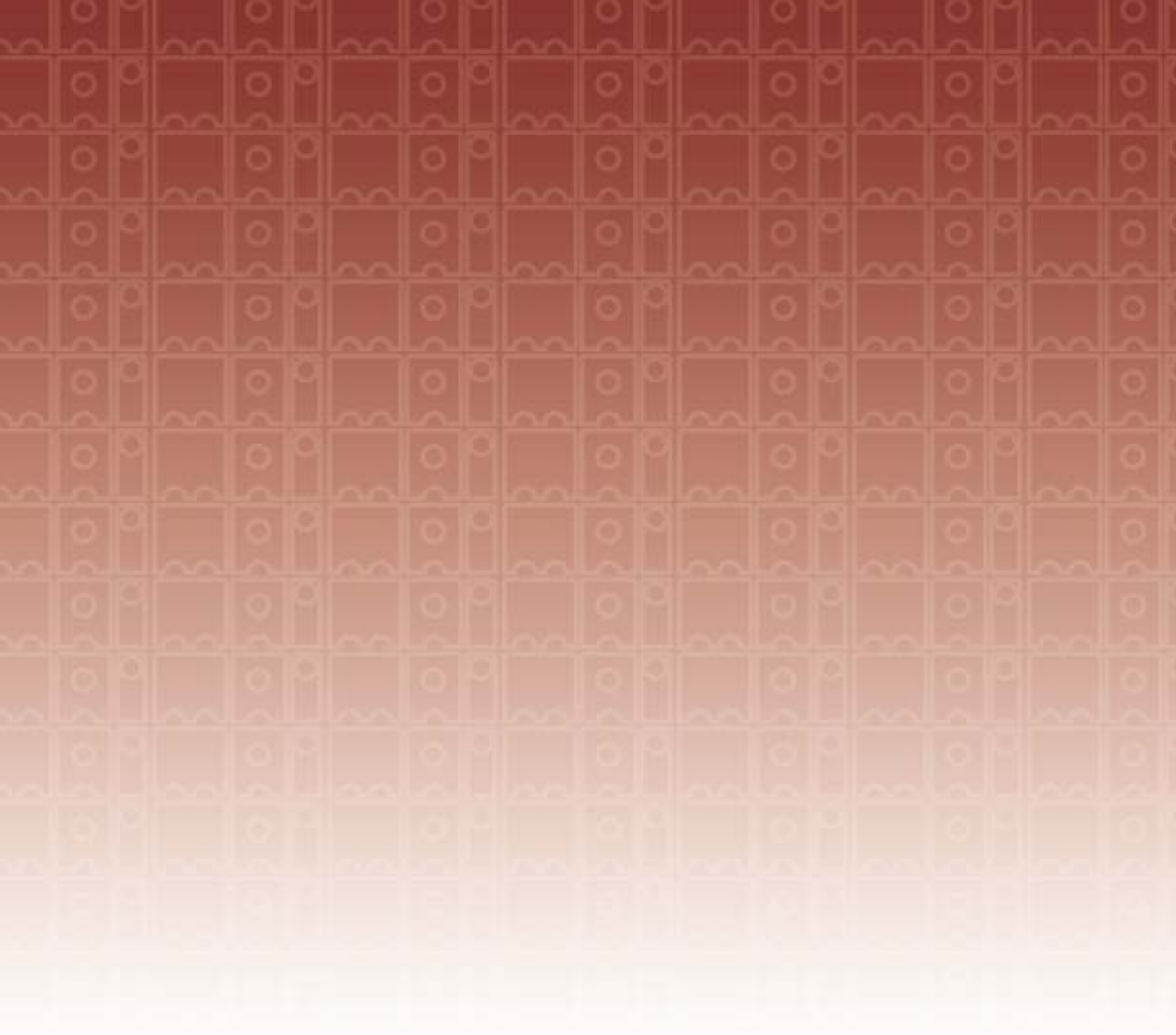


Alpine



La Scala Stair Parts





*Distributed by*



*Nothing Welcomes Like Wood™*

**800 394-6680**

[www.mouldingassociates.com](http://www.mouldingassociates.com)