



MIAMI-DADE
BUILDING CODE COMPLIANCE OFFICE (BCCO)
PRODUCT CONTROL DIVISION

MIAMI-DADE COUNTY, FLORIDA
 METRO-DADE FLAGLER BUILDING
 140 WEST FLAGLER STREET, SUITE 1603
 MIAMI, FLORIDA 33130-1563
 (305) 375-2901 FAX (305) 375-2908

NOTICE OF ACCEPTANCE (NOA)

Moulding Associates, Inc.

933 Hensley Lane
 Wylie, TX 75098

SCOPE:

This NOA is being issued under the applicable rules and regulations governing the use of construction materials. The documentation submitted has been reviewed by Miami-Dade County Product Control Division and accepted by the Board of Rules and Appeals (BORA) to be used in Miami Dade County and other areas where allowed by the Authority Having Jurisdiction (AHJ).

This NOA shall not be valid after the expiration date stated below. The Miami-Dade County Product Control Division (in Miami Dade County) and/or the AHJ (in areas other than Miami Dade County) reserve the right to have this product or material tested for quality assurance purposes. If this product or material fails to perform in the accepted manner, the manufacturer will incur the expense of such testing and the AHJ may immediately revoke, modify, or suspend the use of such product or material within their jurisdiction. BORA reserves the right to revoke this acceptance, if it is determined by Miami-Dade County Product Control Division that this product or material fails to meet the requirements of the applicable building code.

This product is approved as described herein, and has been designed to comply with the High Velocity Hurricane Zone of the Florida Building Code.

DESCRIPTION: Series "Elan, St. Charles or Delta" 8'0 Inswing Glazed Wood Door w/Sidelites

APPROVAL DOCUMENT: Drawing No. S-2227, dated 03/27/02, with revision #1 dated 07/10/02, titled "Stile & Rail 6'8 & 8'0 Glazed Wood Door In-Swing Unit", sheets 1 through 9, prepared by R. W. Building Consultants, Inc., bearing the Miami-Dade County Product Control Approval stamp with the Notice of Acceptance number and approval date by the Miami-Dade County Product Control Division.

MISSILE IMPACT RATING: None

LABELING: Each unit shall bear a permanent label with the manufacturer's name or logo, city, state and following statement: "Miami-Dade County Product Control Approved", unless otherwise noted herein.

RENEWAL of this NOA shall be considered after a renewal application has been filed and there has been no change in the applicable building code negatively affecting the performance of this product.

TERMINATION of this NOA will occur after the expiration date or if there has been a revision or change in the materials, use, and/or manufacture of the product or process. Misuse of this NOA as an endorsement of any product, for sales, advertising or any other purposes shall automatically terminate this NOA. Failure to comply with any section of this NOA shall be cause for termination and removal of NOA.

ADVERTISEMENT: The NOA number preceded by the words Miami-Dade County, Florida, and followed by the expiration date may be displayed in advertising literature. If any portion of the NOA is displayed, then it shall be done in its entirety.

INSPECTION: A copy of this entire NOA shall be provided to the user by the manufacturer or its distributors and shall be available for inspection at the job site at the request of the Building Official.

This NOA consists of this page 1 as well as approval document mentioned above.
 The submitted documentation was reviewed by **Manuel Perez, P.E.**



NOA No 02-0529.02

Expiration Date: September 12, 2007

Approval Date: September 12, 2002

Page 1

MOULDING ASSOCIATES
"ELAN, ST. CHARLES OR DELTA SERIES"
 STILE & RAIL GLAZED WOOD DOOR
 UP TO 8'4" x 8'0" INSWING WITH & WITHOUT SIDELITES

- GENERAL NOTES**
1. THIS PRODUCT IS DESIGNED TO COMPLY WITH THE FLORIDA BUILDING CODE.
 2. WOOD BUCKS BY OTHERS, MUST BE ANCHORED PROPERLY TO TRANSFER LOADS TO THE STRUCTURE.
 3. PRODUCT ANCHORS SHALL BE AS LISTED AND SPACED AS SHOWN ON DETAILS. ANCHOR EMBEDMENT TO BASE MATERIAL SHALL BE BEYOND WALL DRESSING OR STUCCO.
 4. DESIGNED PRESSURE RATING SEE TABLE PAGE 1.
 5. THIS PRODUCT DOES NOT MEET THE WATER REQUIREMENTS FOR "HIGH VELOCITY HURRICANE ZONES".
 6. THIS SYSTEM REQUIRES WINDBORNE DEBRIS EXTERNAL PROTECTION AS PRESCRIBED IN SECTION 2413 OF THE FLORIDA BUILDING CODE.

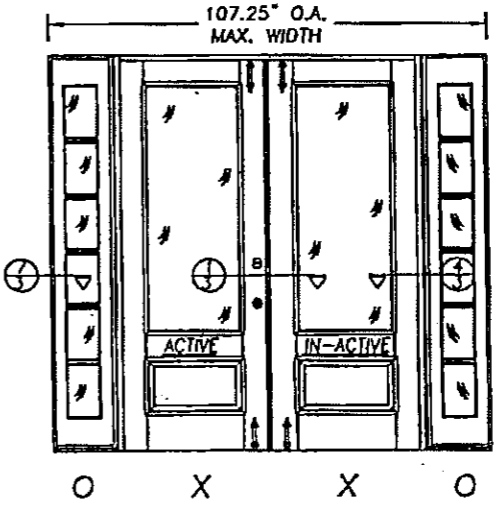
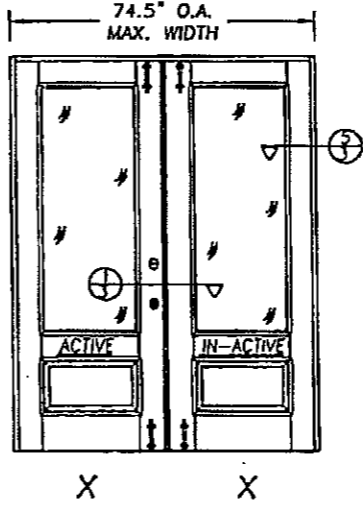
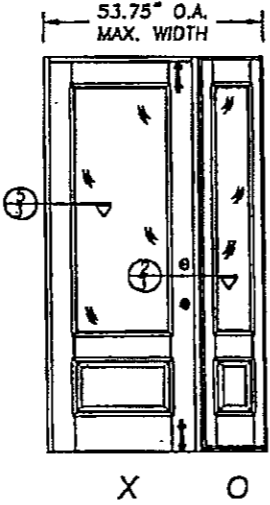
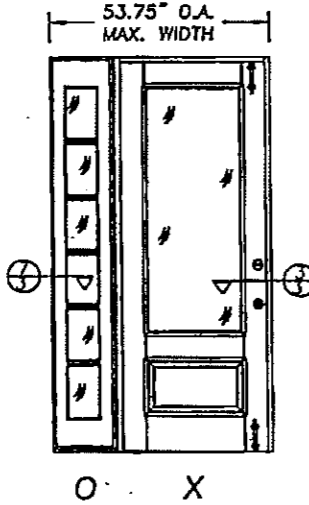
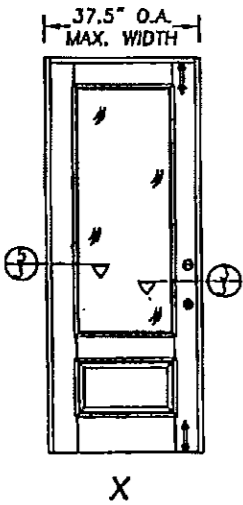
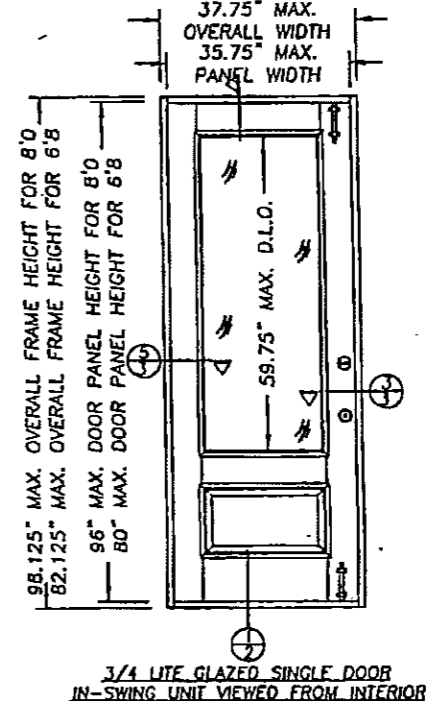
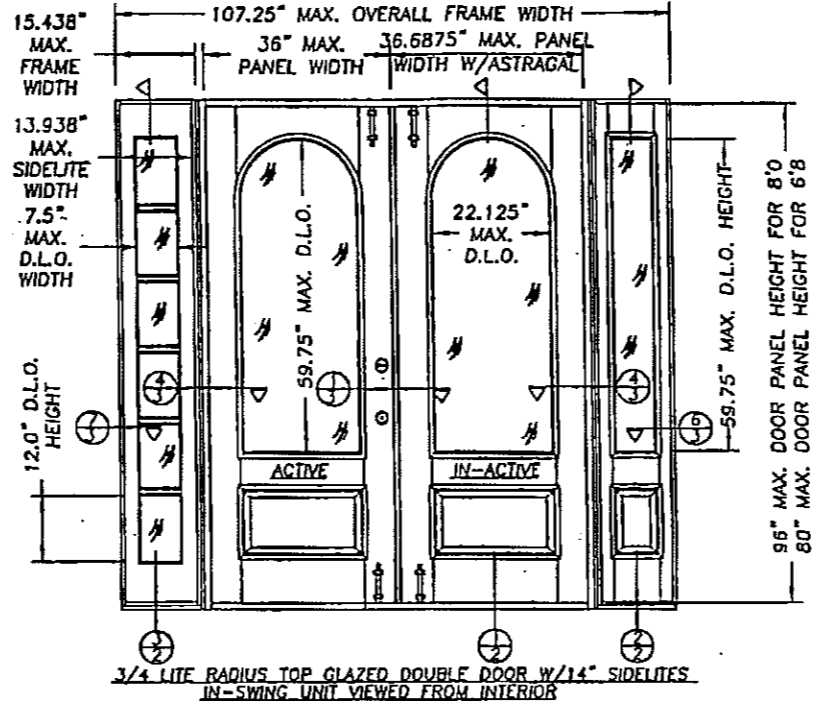


TABLE OF CONTENTS	
SHEET #	DESCRIPTION
1	TYPICAL ELEVATIONS & GENERAL NOTES
2	VERTICAL CROSS SECTIONS
3	HORIZONTAL CROSS SECTIONS
4	ANCHORING LOCATIONS & DETAILS
5	ANCHORING LOCATIONS
6	3/4 LITE DOOR STILE & RAIL DETAIL
7	3/4 LITE RADIUS TOP DOOR STILE & RAIL DETAIL
8	SIDELITE STILE & RAIL DETAIL
9	BILL OF MATERIALS, UNIT COMPONENTS & GLAZING DETAILS

DESIGN PRESSURE RATING (WHERE WATER INFILTRATION REQUIREMENT IS NOT NEEDED)				
UNIT TYPE	WITH SURFACE BOLTS ON INACTIVE PANEL ONLY		WITH SURFACE BOLTS ON INACTIVE & ACTIVE PANEL	
SINGLE			+ 67.0 PSF	- 67.0 PSF
DOUBLE	+ 47.0 PSF	- 47.0 PSF	+ 67.0 PSF	- 67.0 PSF
SINGLE & DOUBLE WITH SIDELITES	+ 47.0 PSF	- 47.0 PSF	+ 67.0 PSF	- 67.0 PSF

Approved as complying with the Florida Building Code
 Date SEP 17 2002
 NOAR 01-0524-02
 Miami Dade Product Control Dept
 By *Moulding*

RW BUILDING CONSULTANTS, INC.
 813.684.3831

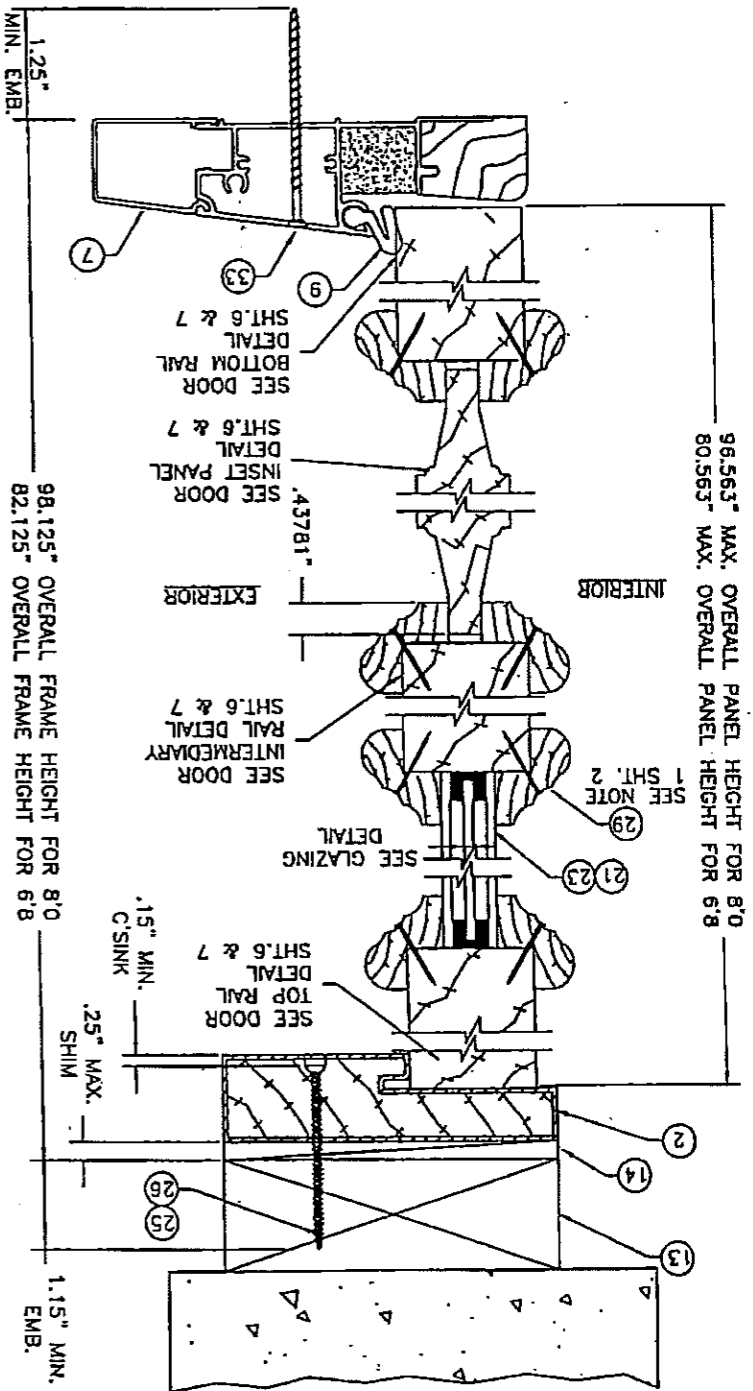
DATE: 3/27/02
 SCALE: N.T.S.
 DWG. BY: WLN
 CHK. BY: RW
 DRAWING NO.: S-2227
 SHEET 1 of 9

PRODUCT: STILE & RAIL 6'8" OR 8'0" GLAZED WOOD DOOR IN-SWING UNIT
 PART OR ASSEMBLY:
 TYPICAL ELEVATIONS & GENERAL NOTES

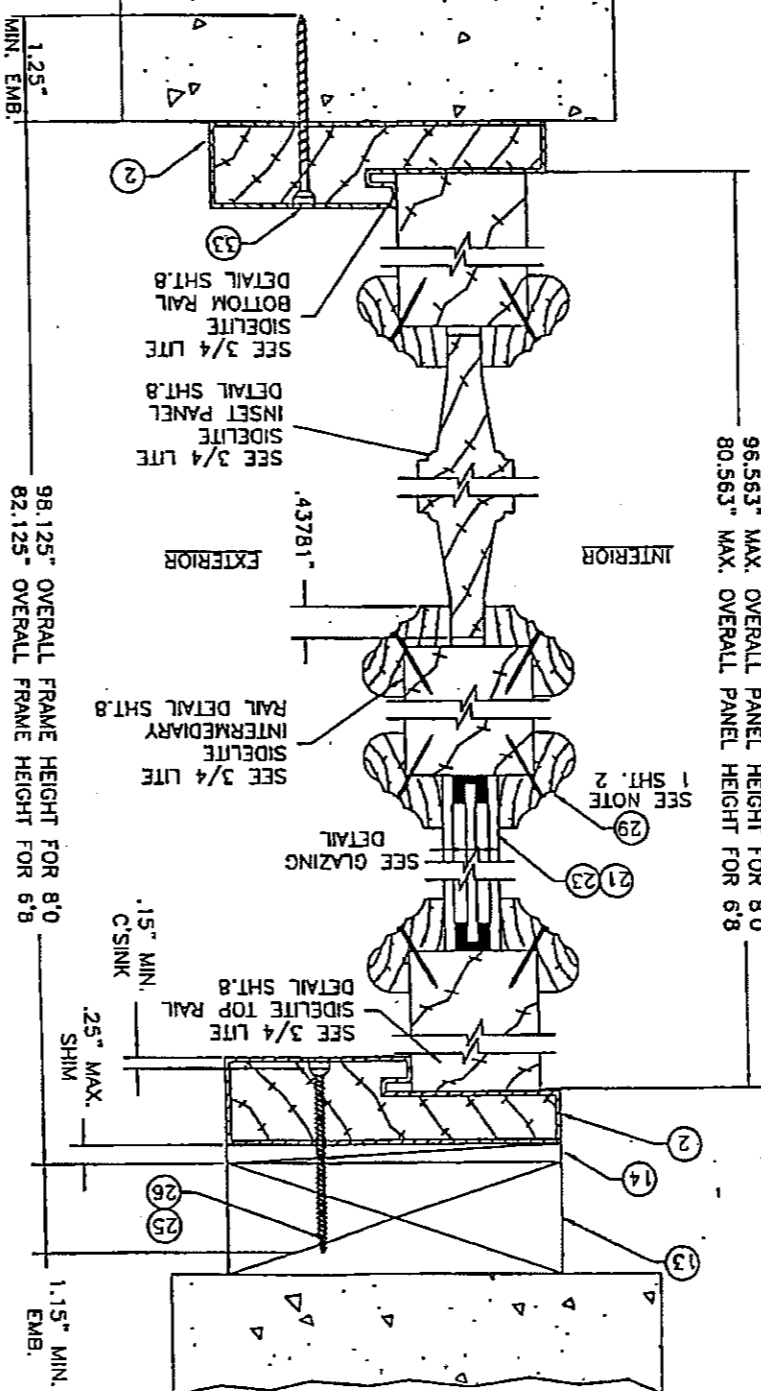
NO.	DATE	GENERAL REVISION	WLN	BY
1	7/10/02			

MOULDING ASSOCIATES INCORPORATED
 933 HENSLEY LANE
 WYLE, TX 75098
 PHONE: 800.394.6680

① VERTICAL CROSS SECTION
② 3/4 LITE DOOR PANEL

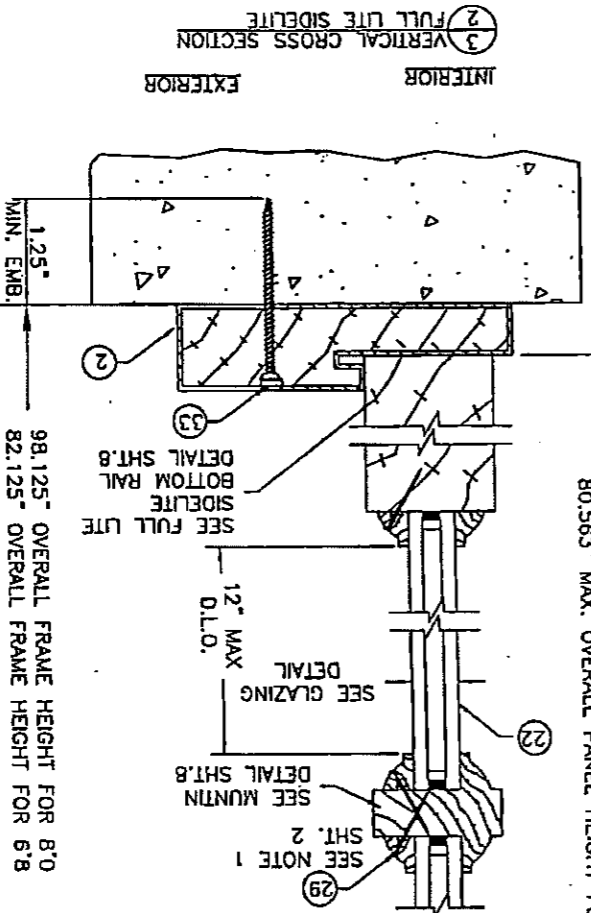


② VERTICAL CROSS SECTION
③ 3/4 LITE SIDELITE



Approved as copying with the Florida Building Code
 Date: **SEPT 12, 2002**
 NOA# **02-0529-02**
 Division
 Miami Trade Product Control
 By: *[Signature]*

NOTE:
 1. THE DECORATIVE TRIM IS APPLIED TO BOTH SIDES OF THE PANEL WITH ITEM #29 (16 GA. BRAD NAIL 1" L.) LOCATED 1.0" FROM EACH END AN A MAX. 4.0" ON CENTER.



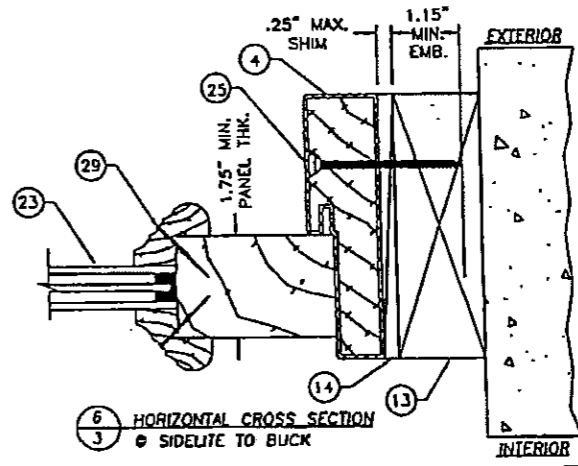
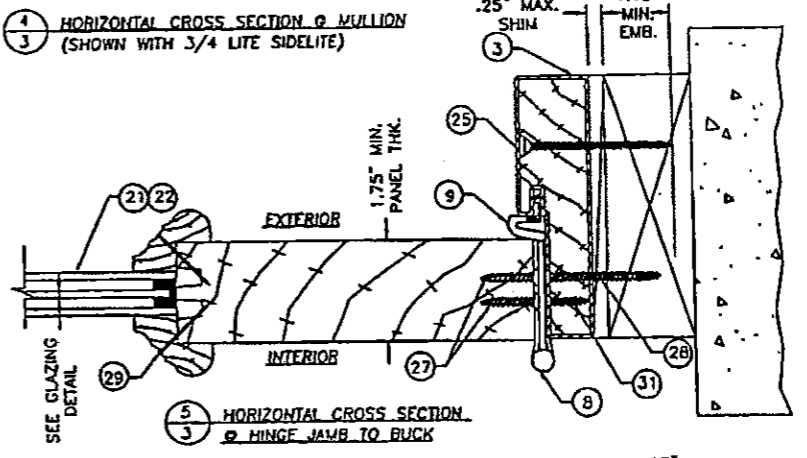
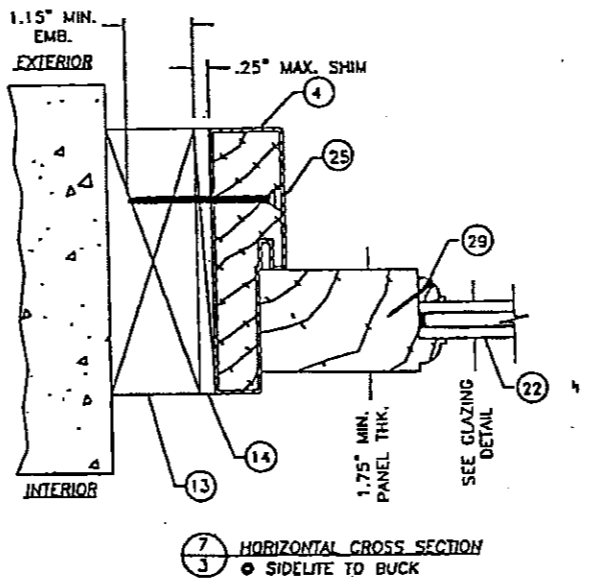
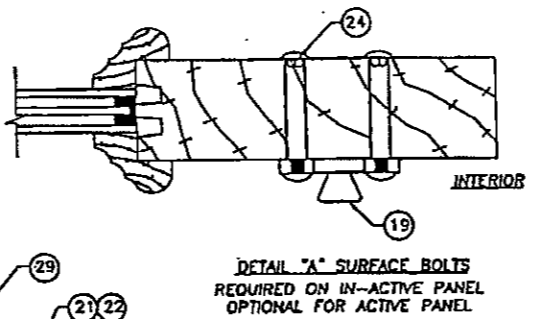
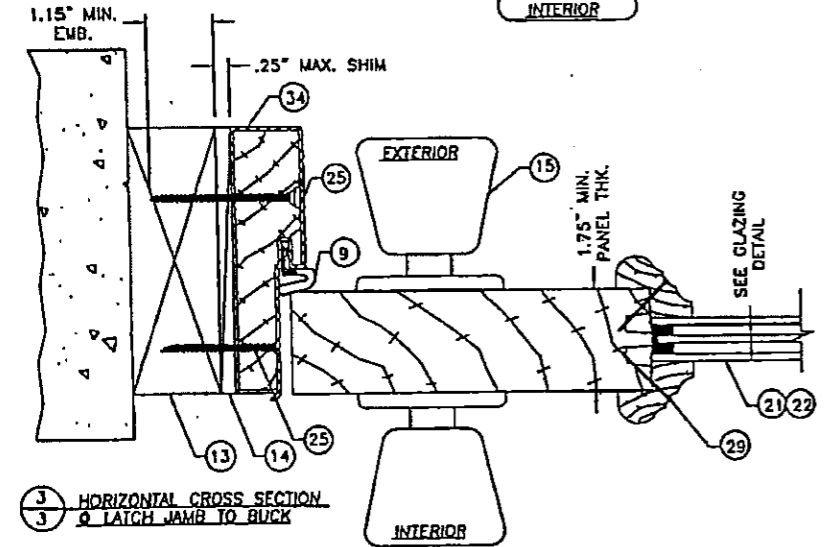
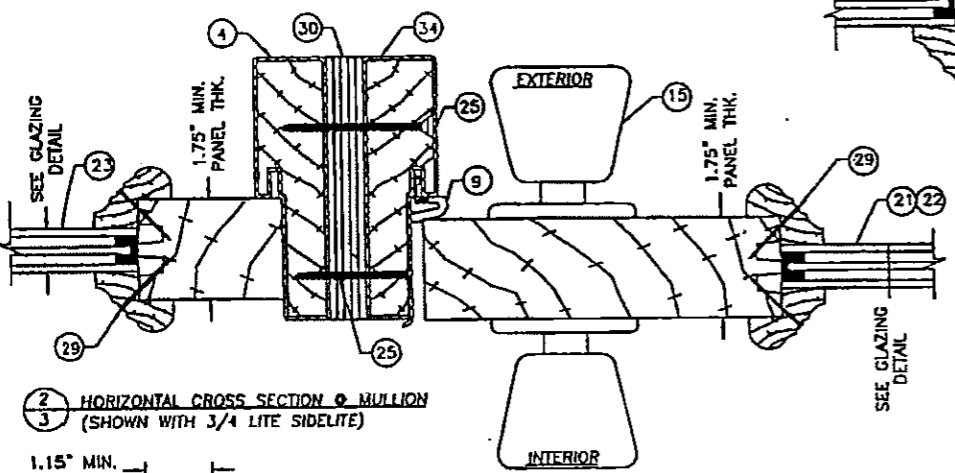
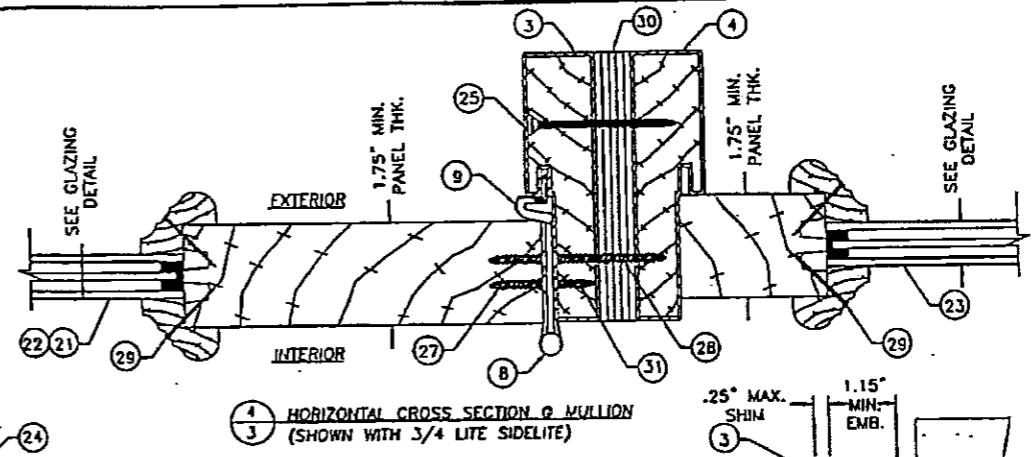
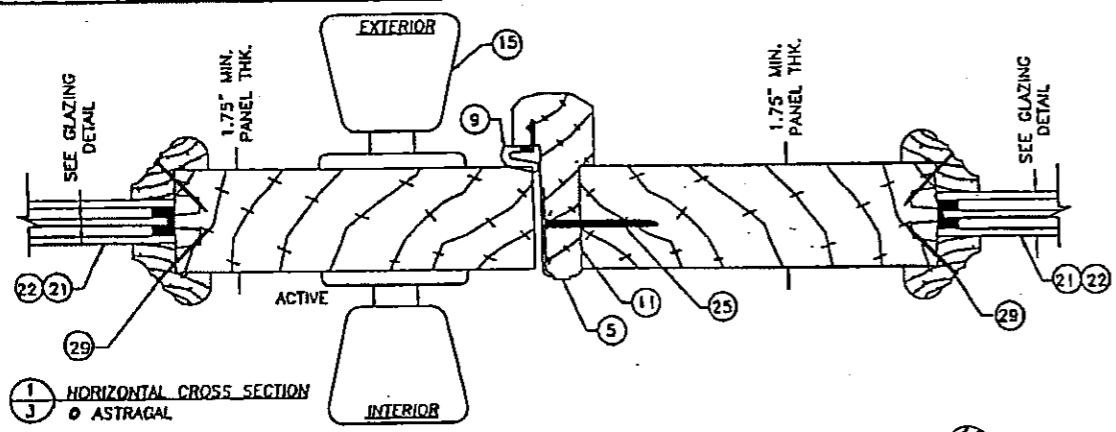
DATE: 3/27/02
 SCALE: N.T.S.
 DWG. BY: WLN
 CHK. BY: RW
 DRAWING NO.: 5-2227
 SHCT 2 OF 9

GRW BUILDING CONSULTANTS, INC.
 813.684.3831

NO.	DATE	BY	REVISIONS
1	7/10/02	WLN	GENERAL REVISION

PRODUCT:
 STILE & RAIL
 6'8 OR 8'0 GLAZED
 WOOD DOOR IN-SWING UNIT
 PART OR ASSEMBLY:
 VERTICAL
 CROSS SECTIONS

MOULDING ASSOCIATES INCORPORATED
 933 HENSLEY LANE
 WYILE, TX 75098
 PHONE: 800.394.6680



MOULDING ASSOCIATES INCORPORATED
 933 HENSLEY LANE
 WYLE, TX 75098
 PHONE: 800.394.6680

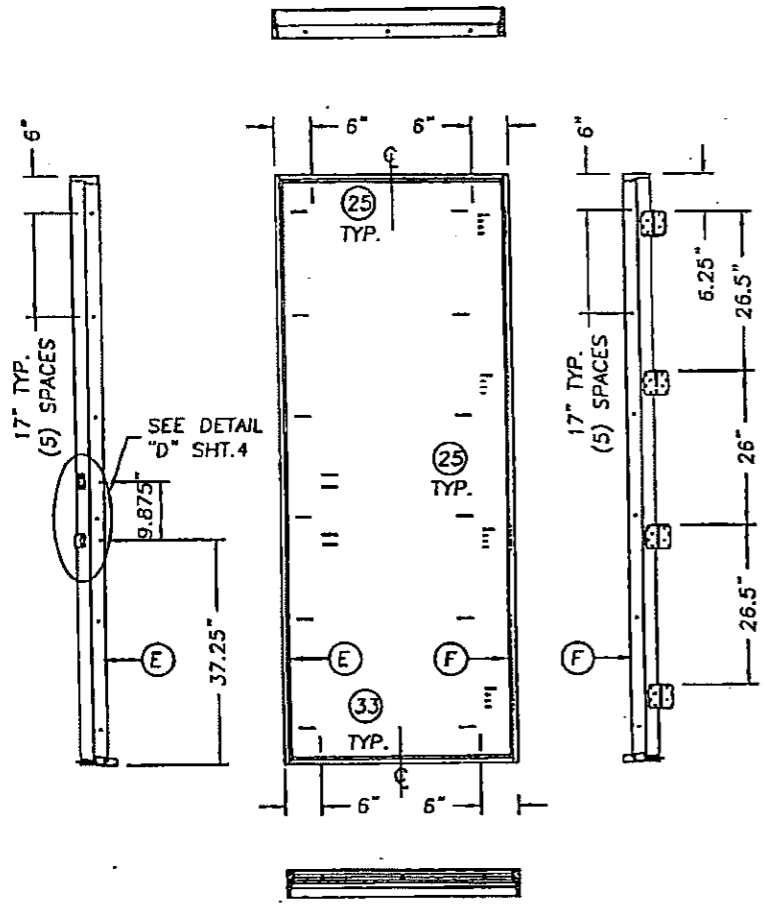
PRODUCT: STILE & RAIL
 6"8 OR 8"0 GLAZED
 WOOD DOOR IN-SWING UNIT
 PART OR ASSEMBLY: HORIZONTAL CROSS SECTION

NO.	DATE	GENERAL REASON	W.N.	BY
1	7/10/02			

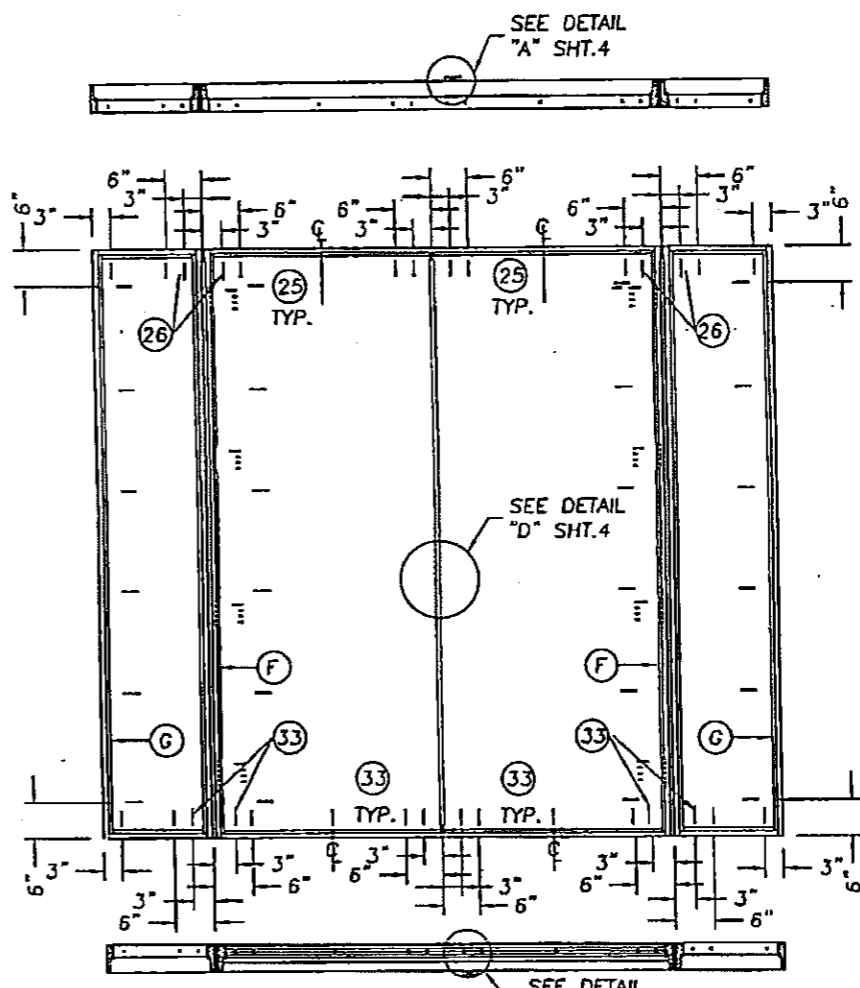
RW BUILDING CONSULTANTS, INC.
 813.684.3831

Approved as complying with the Florida Building Code
 Date SEPT 12 2002
 NOAH 02-0529.02
 Miami Dade Product Control
 Division
 By *M. M. [Signature]*

DATE: 3/27/02
 SCALE: N.T.S.
 DWG. BY: WLN
 CHK. BY: RW
 DRAWING NO.: S-2227
 SHEET 3 of 9

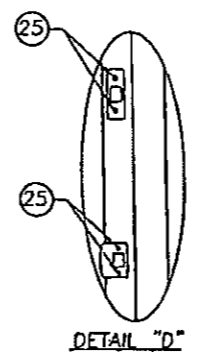
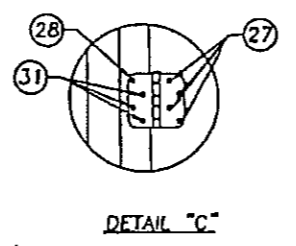
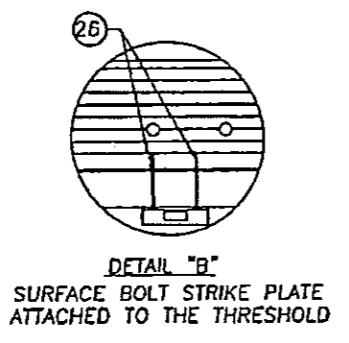
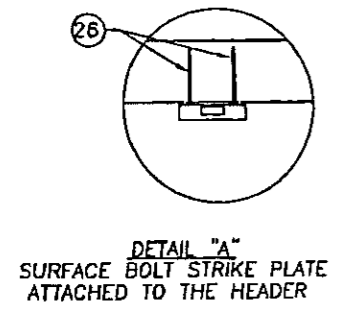


SINGLE DOOR



DOUBLE DOOR W/SIDELITES

NOTE:
 FOR 6"8 DOOR HINGE LOCATIONS ARE AS FOLLOW:
 FROM TOP OF HINGE JAMB TO TOP OF 1ST HINGE 7",
 2ND & 3RD HINGE TO HAVE 29 1/4" CENTERLINE.
 6"8 & 8"0 LATCH AND DEADBOLT STRIKES ARE THE
 SAME LOCATIONS.



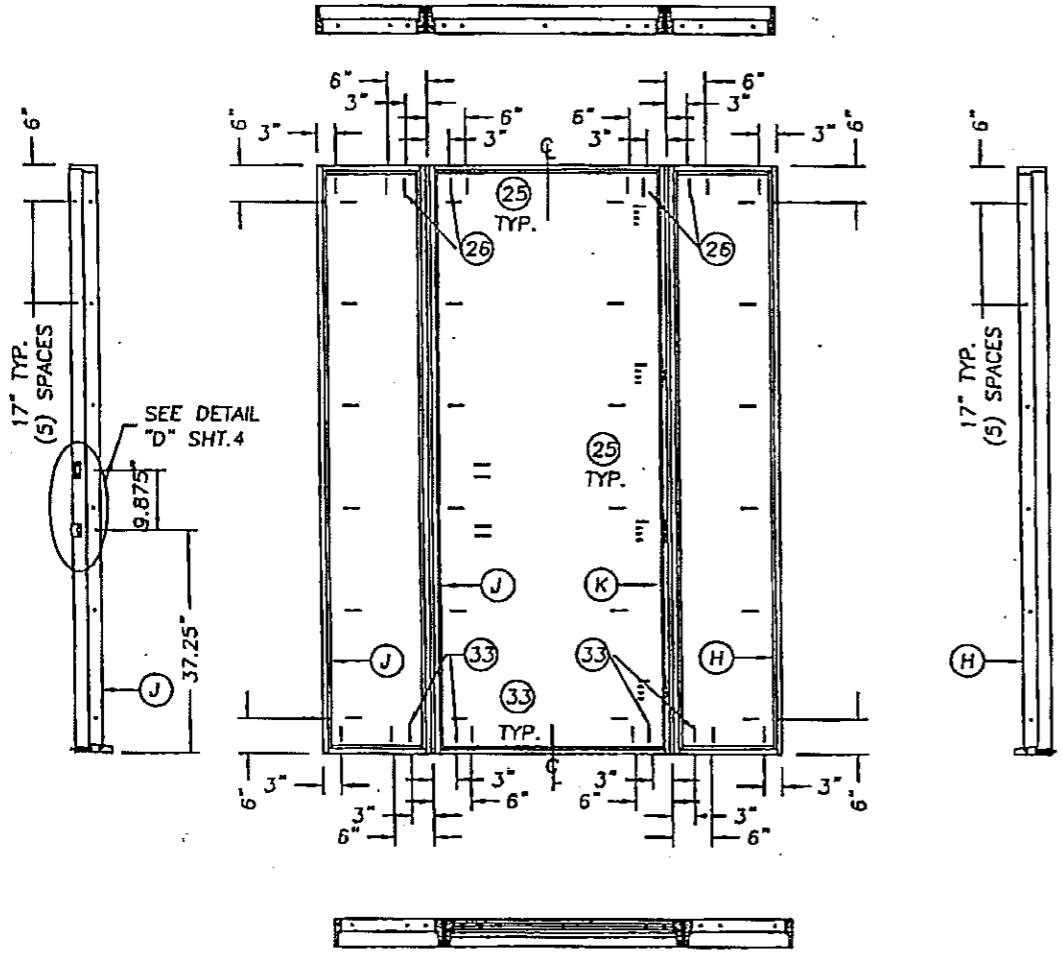
MOULDING ASSOCIATES INCORPORATED
 933 HENSLEY LANE
 WYLE, TX 75098
 PHONE: 800.394.6680

PRODUCT:		STILE & RAIL 6"8 OR 8"0 GLAZED WOOD DOOR IN-SWING UNIT	
PART OR ASSEMBLY:		ANCHORING LOCATIONS & DETAILS	
NO.	DATE	GENERAL REVISION	BY
1	7/10/02		WLN

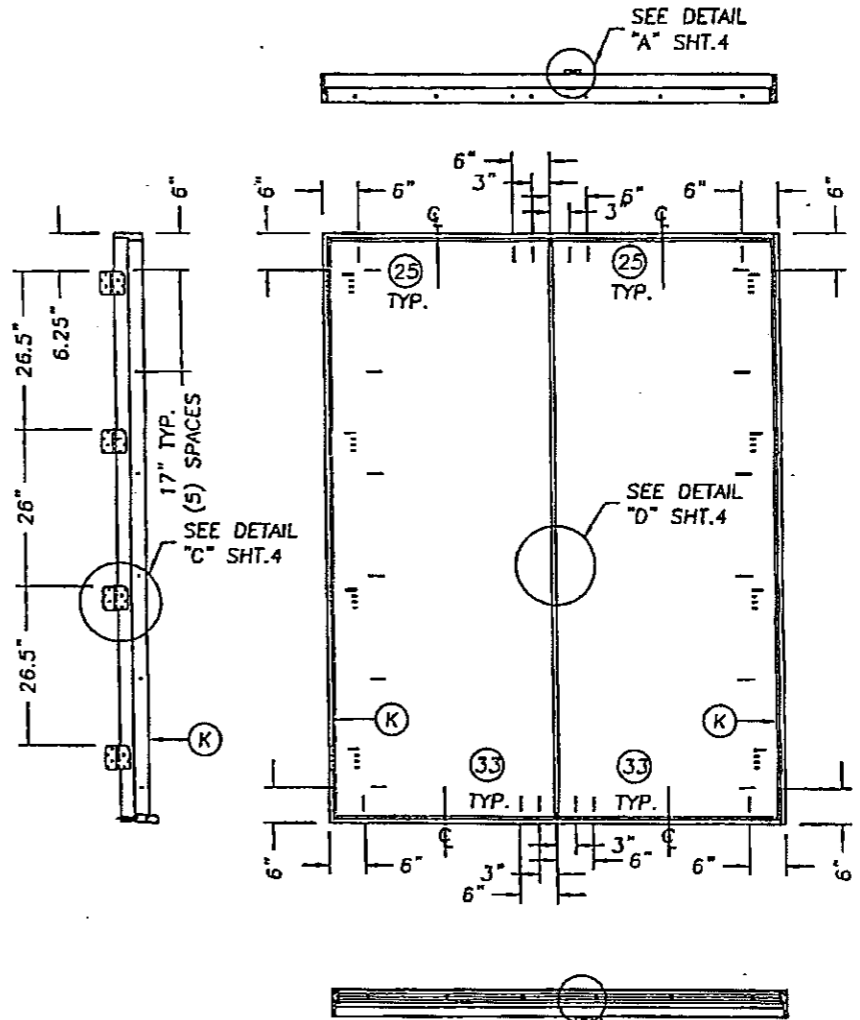
RW BUILDING CONSULTANTS, INC
 813.684.3831

DATE: 3/27/02
 SCALE: N.T.S.
 DWG. BY: WLN
 CHK. BY: RW
 DRAWING NO.: S-2227
 SHEET 4 OF 8

Approved as complying with the Florida Building Code
 Date: SEPT 12 2002
 NO. 02-0523-02
 Miami Dade Product Control
 Division
 By: *[Signature]*



SINGLE DOOR W/SIDELITES



DOUBLE DOOR

MOULDING ASSOCIATES INCORPORATED
 933 HENSLEY LANE
 WYLE, TX 75098
 PHONE: 800.394.6680

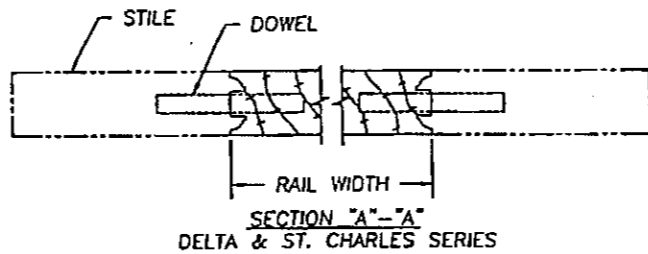
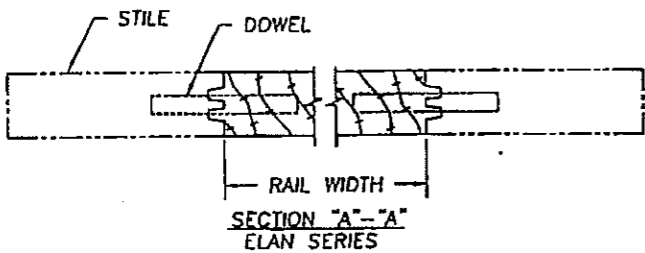
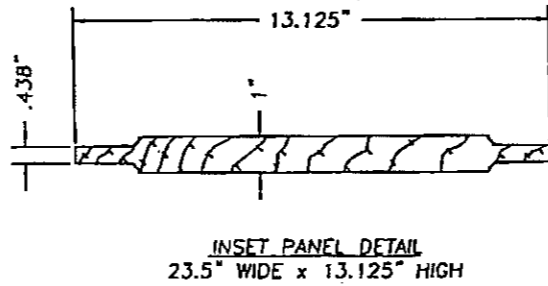
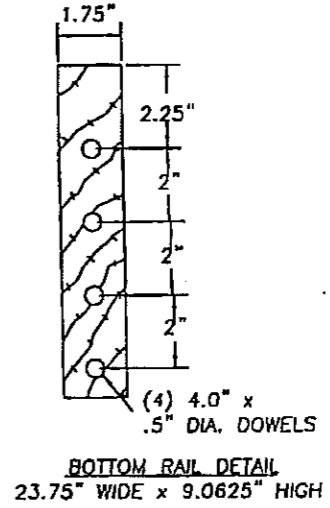
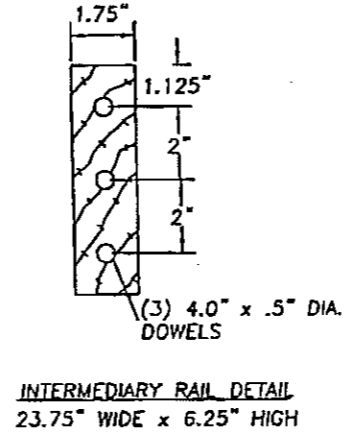
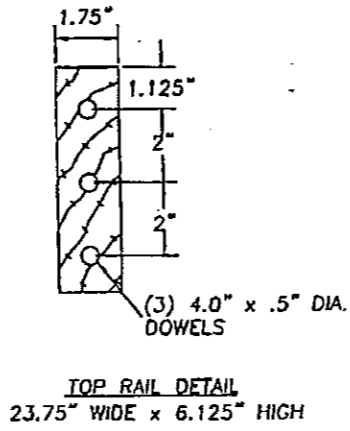
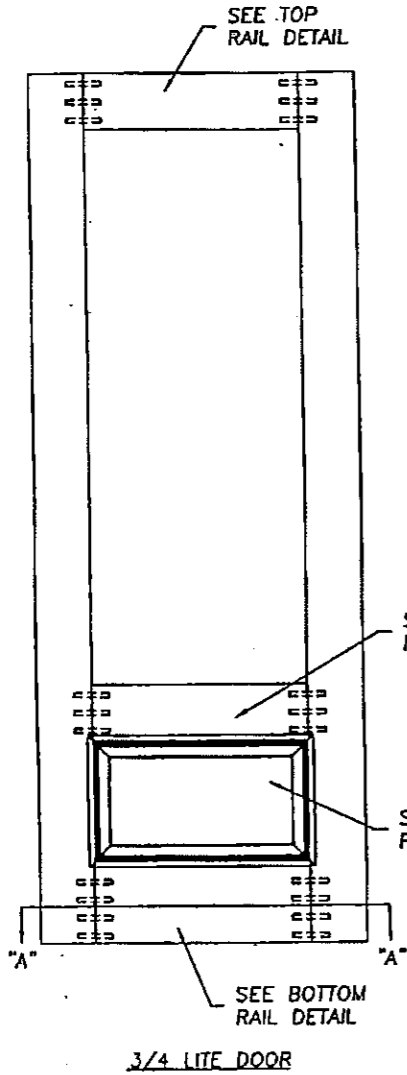
PRODUCT: STILE & RAIL
 6" OR 8" GLAZED
 WOOD DOOR IN-SWING UNIT
 PART OR ASSEMBLY:
 ANCHORING LOCATIONS

NO	DATE	GENERAL REVISION	BY
1	7/10/02		WLN
REVISIONS			

RW BUILDING CONSULTANTS, INC
 813.684.3831

DATE: 3/37/02
 SCALE: N.T.S.
 Dwg. BY: WLN
 CHK. BY: RW
 DRAWING NO.: S-2227
 SHEET 5 OF 9

Approved as complying with the Florida Building Code
 Date SEPT 12, 2002
 NOAR 02-0525-02
 Miami Dade Product Control
 Division
 By *Maurice Gray*



BUILDING ASSOCIATES INCORPORATED
933 HENSLEY LANE
WYLLIE, TX 75098
PHONE: 800.394.6680

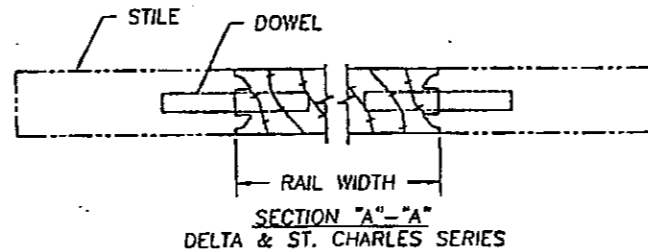
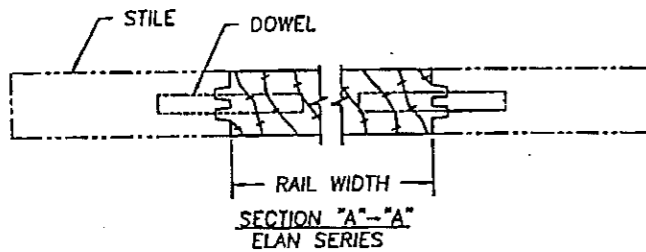
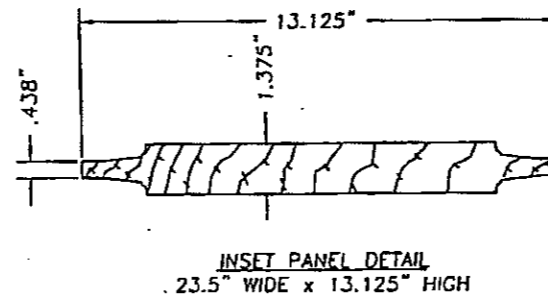
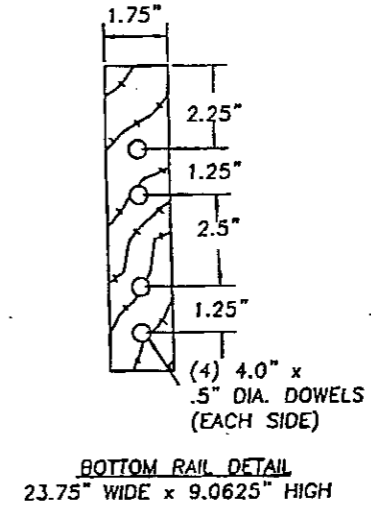
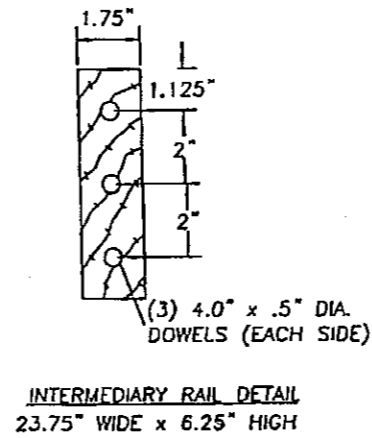
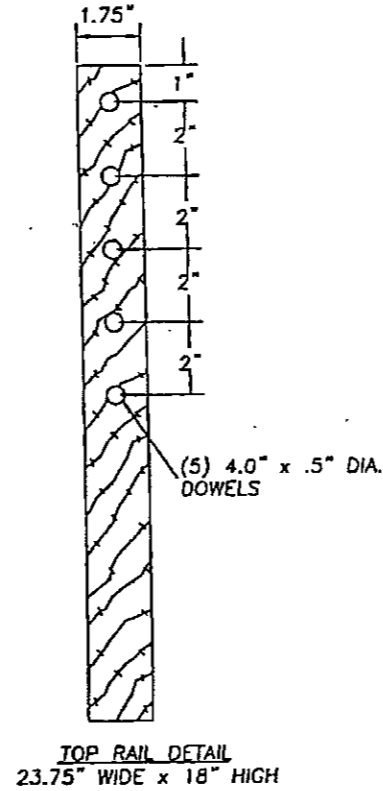
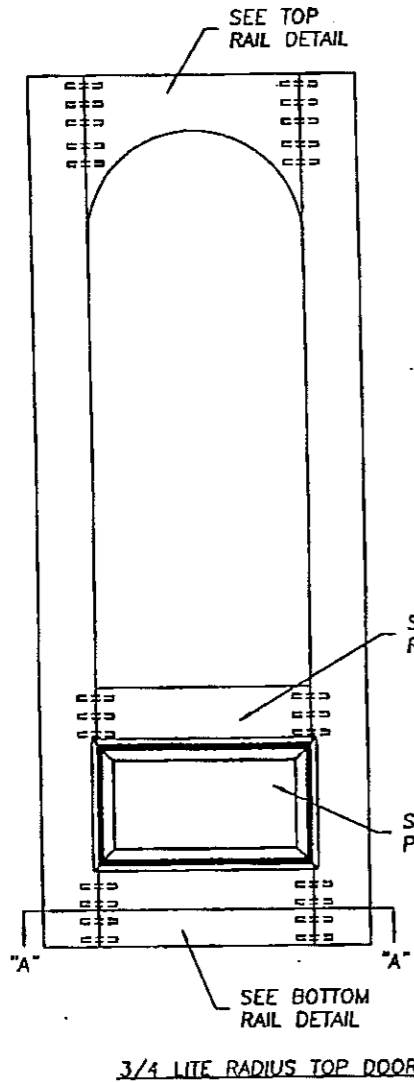
PRODUCT: STILE & RAIL
6"8 OR 8"0 GLAZED
WOOD DOOR IN-SWING UNIT
PART OR ASSEMBLY:
3/4 LITE DOOR
STILE & RAIL DETAIL

NO.	DATE	GENERAL REVISION	WLM	BY
1	7/10/02			

RW BUILDING CONSULTANTS, INC
813.684.3831

DATE: 3/27/02
SCALE: N.T.S.
DWG. BY: WLN
CHK. BY: RW
DRAWING NO.: S-2227
SHEET 6 of 9

Approved as complying with the Florida Building Code
Date: SEPT. 12, 2002
NOAH 02-0529.02
Miami Dade Product Control
Division
By: *[Signature]*



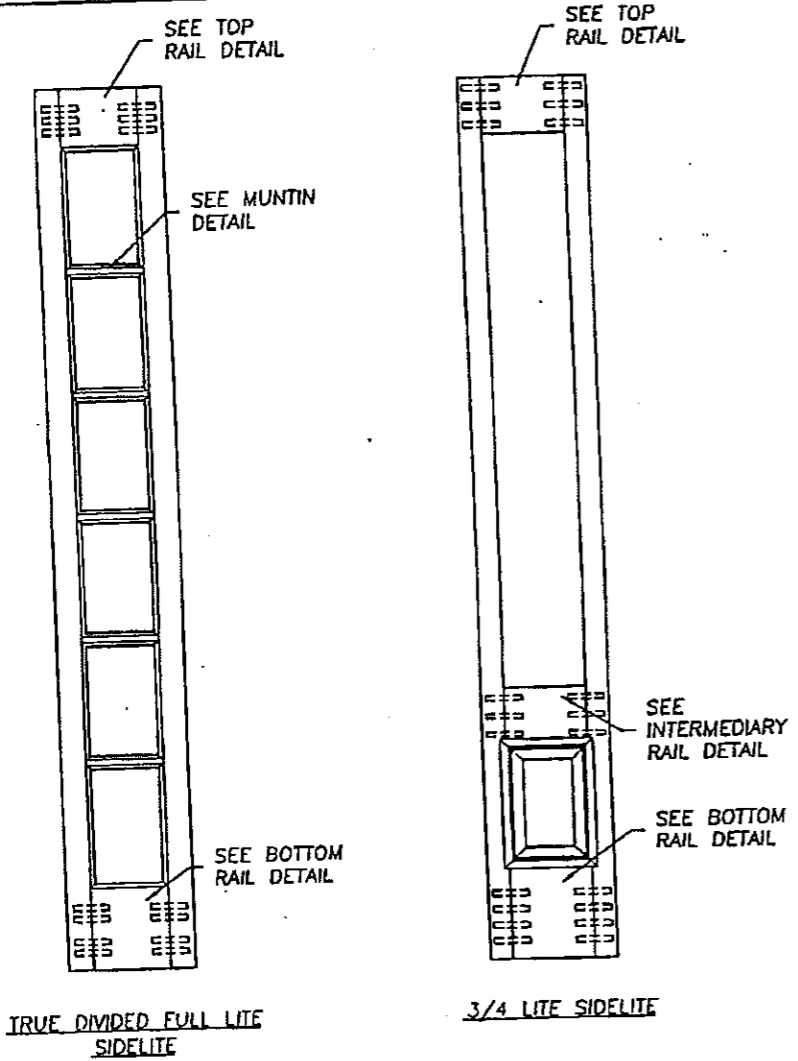
BUILDING ASSOCIATES INCORPORATED
 933 HENSLEY LANE
 WYLLIE, TX 75098
 PHONE: 800.394.6680

PRODUCT:		STILE & RAIL 6'8 OR 8'0 GLAZED WOOD DOOR IN-WING UNIT PART OR ASSEMBLY	
NO.	DATE	BY	REVISIONS
1	7/10/02	WLN	3/4 LITE RADIUS TOP DOOR STILE & RAIL DETAIL
			GENERAL REVISION

RW BUILDING CONSULTANTS, INC.
 813.664.3831

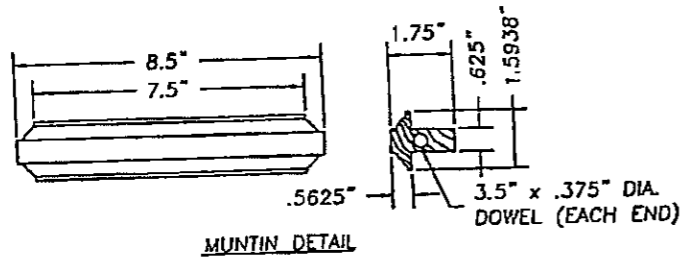
DATE: 3/26/02
 SCALE: N.T.S.
 DWG. BY: WLN
 CHK. BY: RW
 DRAWING NO.: S-2227
 SHEET 7 of 9

Approved as complying with the Florida Building Code
 Date: SEPT 12 2002
 NCJAH 02-0529-02
 Miami Dade Product Control Division
 By: *[Signature]*

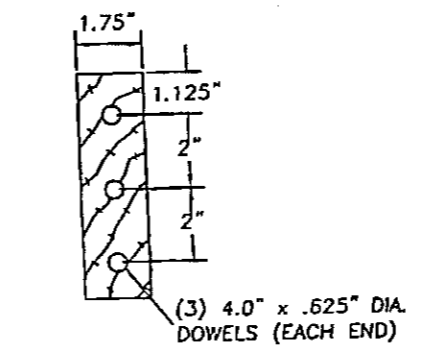


TRUE DIVIDED FULL LITE SIDELITE

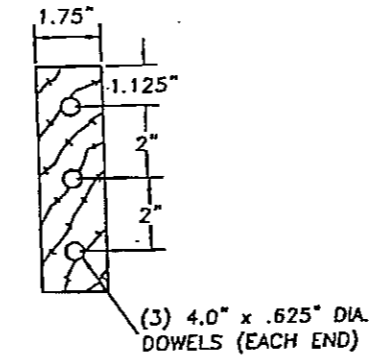
3/4 LITE SIDELITE



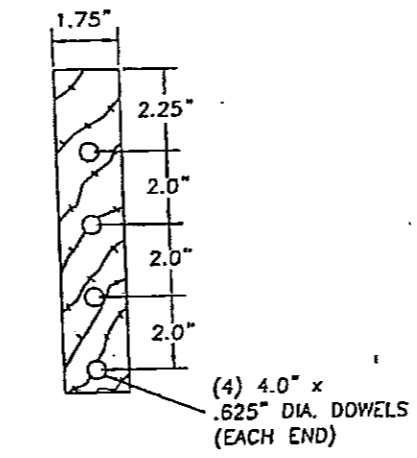
MUNTIN DETAIL



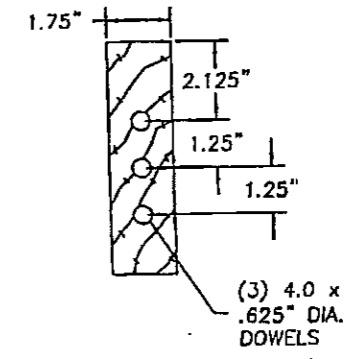
3/4 LITE SIDELITE TOP RAIL DETAIL
9.0" WIDE x 6.125" HIGH



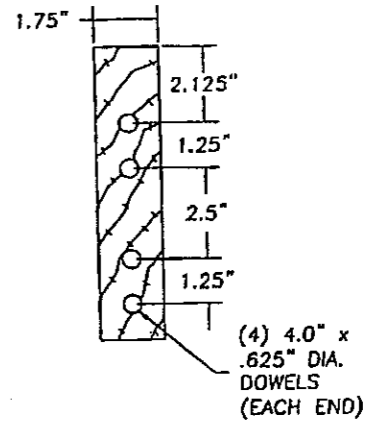
3/4 LITE SIDELITE INTERMEDIARY RAIL DETAIL
9.0" WIDE x 6.25" HIGH



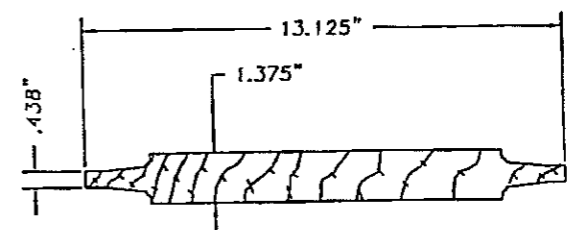
3/4 LITE SIDELITE BOTTOM RAIL DETAIL
9.0" WIDE x 9.625" HIGH



FULL LITE SIDELITE TOP RAIL DETAIL
8.5" WIDE x 6.25" HIGH



FULL LITE SIDELITE BOTTOM RAIL DETAIL
8.5" WIDE x 9.125" HIGH



INSET PANEL DETAIL
8.75" WIDE x 13.125" HIGH

Approved as complying with the Florida Building Code
Date SEP 12 2002
NOAM 02-0529-02
Miami Dale Product Centre
Division
By Maunul

MOULDING ASSOCIATES INCORPORATED
933 HENSLEY LANE
WYLIE, TX 75098
PHONE: 800.394.6680

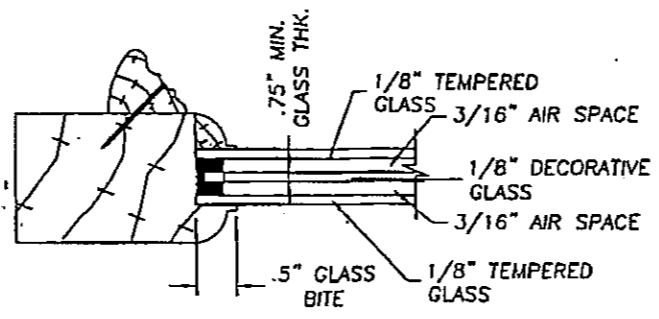
PRODUCT: STILE & RAIL
6'8" OR 8'0" GLAZED WOOD DOOR IN-SWING UNIT
PART OR ASSEMBLY:
SIDELITE STILE & RAIL DETAIL

NO.	DATE	GENERAL REVISION	BY
1	7/10/02		WLN

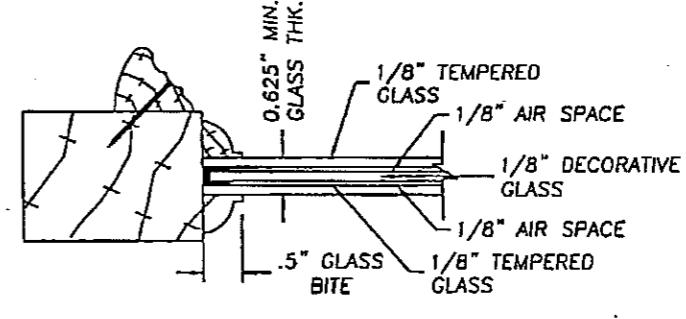
RW BUILDING CONSULTANTS, INC.
813.684.3831

DATE: 3/27/02
SCALE: N.T.S.
DWG. BY: WLN
CHK. BY: RW
DRAWING NO.: S-2227
SHEET 8 of 9

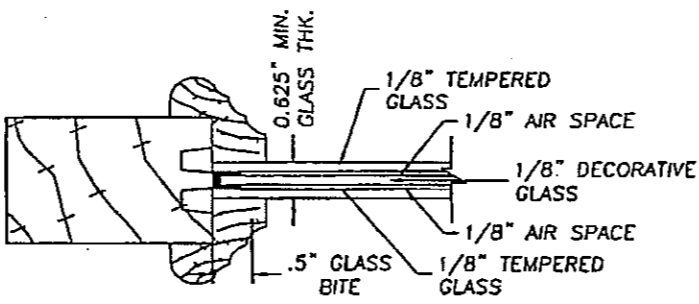
ITEM	DESCRIPTION	MATERIAL
1	STYLE & RAIL 8-0 WOOD DOOR (MAHOGANY & OAK)	WOOD
2	HEAD JAMB FINGER JOINTED MAHOGANY WITH .0625 CLEAR MAHOGANY VENEER	MAHOGANY
3	EDGE JAMB FINGER JOINTED MAHOGANY WITH .0625 CLEAR MAHOGANY VENEER	MAHOGANY
4	SIDEJAMB BLANK JAMB FINGER JOINTED MAHOGANY WITH .0625 CLEAR MAHOGANY VENEER	MAHOGANY
5	1 PIECE WOOD ASTRAGAL	WOOD
6	NOT USED	-
7	IN-SWING SCHLEGEL HYDRO SILL THRESHOLD	ALUM.
8	4" X 4" BUTT RADIUS HINGE	STEEL
9	ENDURA FORCE 5 COMPRESSION WEATHERSTRIPPING	FOAM
10	SILICON CAULK	SILICONE
11	PL CONSTRUCTION ADHESIVE	-
12	NOT USED	-
13	2x INNER WOOD TEST BUCK	WOOD
14	MAX. 1/4" SHIM MATERIAL	WOOD
15	KWIKSET TITAN SERIRES LATCH BOLT (ANSI GRADE II)	-
16	KWIKSET TITAN SERIRES DEAD BOLT (ANSI GRADE II)	-
17	SCHLAGE ULTIMA SERIRES LATCH BOLT (ANSI GRADE II)	-
18	SCHLAGE ULTIMA SERIRES DEAD BOLT (ANSI GRADE II)	-
19	IVES NO. 454 SURFACE BOLT	STEEL
20	NOT USED	-
21	NOT USED	-
22	5/8" INSULATED GLASS	GLASS
23	3/4" INSULATED GLASS	GLASS
24	10-24 SEX BOLT	STEEL
25	#8 x 2.5" PFH WOOD SCREW	STEEL
26	#10 x 3.0" PFH WOOD SCREW	STEEL
27	#10 x 1.0" PFH WOOD SCREW	STEEL
28	#10 x 2.0" PFH WOOD SCREW	STEEL
29	BRAD TRIM NAIL 1" L.	STEEL
30	.6875" X 4.625" WOOD REINFORCEMENT	LVL
31	#10 x .75" PFH WOOD SCREW	STEEL
32	#10 x 2.5" PFH WOOD SCREW	STEEL
33	3/16" TAPCON ANCHOR	STEEL
34	LATCH JAMB FINGER JOINTED MAHOGANY WITH .0625 CLEAR MAHOGANY VENEER	MAHOGANY



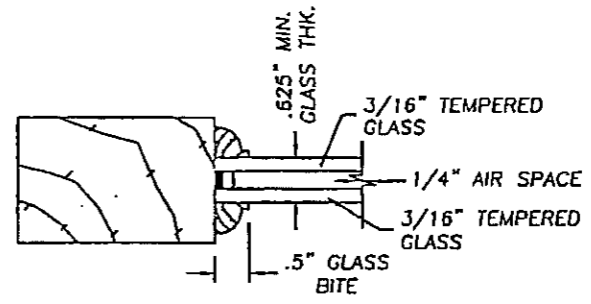
ST. CHARLES 3/4 LITE GLAZING DETAIL
3/4" INSULATED GLASS



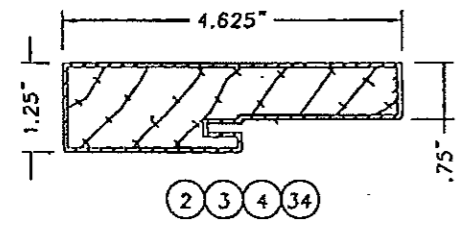
DELTA 3/4 LITE GLAZING DETAIL
5/8" INSULATED GLASS



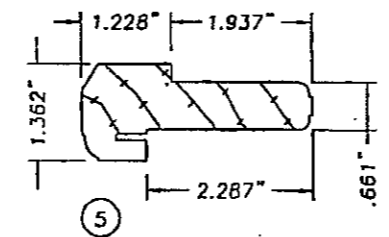
ELAN 3/4 LITE GLAZING DETAIL
5/8" INSULATED GLASS



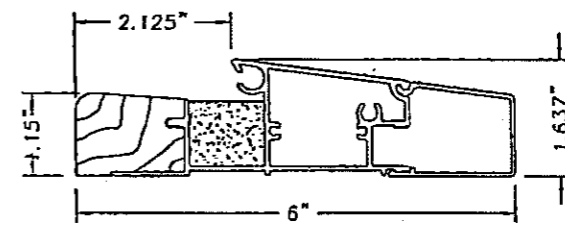
TRUE DIVIDED FULL LITE GLAZING DETAIL
5/8" INSULATED GLASS



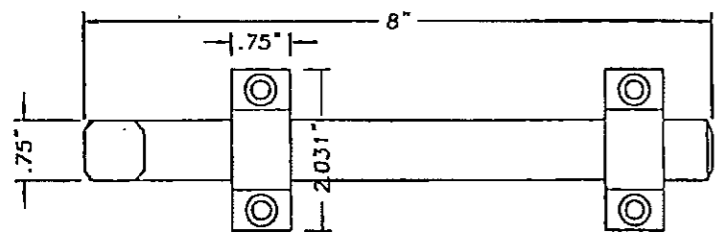
WOOD JAMB FINGER JOINTED MAHOGANY
WITH .0625 CLEAR MAHOGANY VENEER



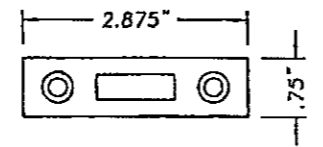
(1) PIECE WOOD ASTRAGAL
(USE PL CONSTRUCTION ADHESIVE TO
ADHERE TO THE INACTIVE DOOR PANEL)



(7) SCHLEGEL HYDRO SILL
ALUMINUM THRESHOLD
(ATTACH THRESHOLD TO JAMB WITH (2) #8 x 3" DECK
SCREWS FROM THE THRESHOLD UP INTO THE STOP AND
(4) 16 GA. x 1.75" LONG 0.5" CROWN STAPLES.)



(19) SURFACE BOLT (IVES MODEL 455 .25" STEEL)



SURFACE BOLT STRIKE (IVES .125" STEEL)

MOULDING ASSOCIATES INCORPORATED
933 HENSLEY LANE
WYLIE, TX 75098
PHONE: 800.394.6680

PRODUCT: STYLE & RAIL 8-0 GLAZED WOOD DOOR IN-SWING UNIT
PART OR ASSEMBLY:
UNIT COMPONENTS, BILL OF MATERIAL & GLAZING DETAILS

NO.	DATE	GENERAL REASON	WLN	BY
1	7/10/02			

RW BUILDING CONSULTANTS, INC
813.684.3831

Approved as complying with the Florida Building Code
Date: SEPT. 12, 2002
NOAH 02-0529.02
Miami Dade Product Control Division
By: *[Signature]*

DATE: 3/27/02
SCALE: N.T.S.
DWG. BY: WLN
CHK. BY: RW
DRAWING NO.: S-2227
SHEET 9 of 9